



# CABRESTANTE ELÉCTRICO WARN

## 9.5 XP / 9.5 XP-S



P/N 68500

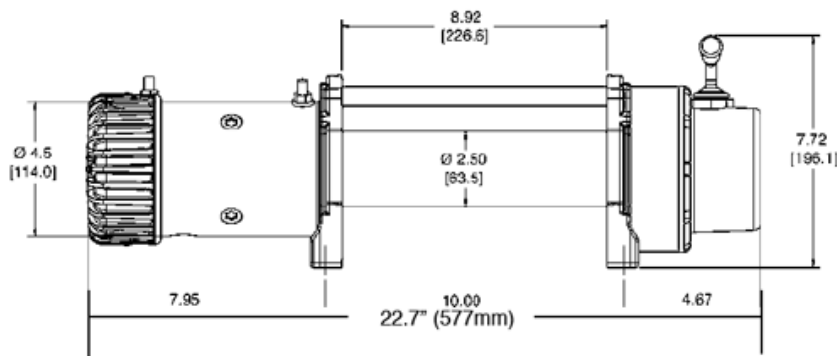


P/N 87310

*“Para un rendimiento extremo, y las tracciones más rápidas y más largas gracias a su potente motor y una elevada resistencia al agua.”*

CARACTERISTICAS	9.5 XP	9.5 XP-S
Capacidad de arrastre	4.310 kg.	
Motor	6HP 12 v	
Tren de engranaje	Planetario de tres etapas	
Guía	De rodillos	Fija de aluminio
Cable	Acero 8mm x 30 m	Sintético 9.5 mm x 24 m
Peso aproximado	39.5 kg.	30.8 kg.
2 Mandos: de cable e inalámbrico	De cable (3.7 m) e inalámbrico	De cable (3.7 m) e inalámbrico

**DIMENSIONES:** (en pulgadas y mm)



**DISTRIBUIDO POR:**



**WARN 9.5 XP WINCH  
REPLACEMENT PARTS LIST**

**ORDERING INFORMATION:**

When ordering please give Warn Model no., Serial no., & Battery voltage. Parts may be obtained through your local dealer or distributor.

<u>ITEM</u>	<u>QTY</u>	<u>PART NO.</u>	<u>DESCRIPTION</u>
26	1	15901	CABLE, ELEC. 2GA, BLACK, 72"
27	1	1402	WASHER, 5/16-HELICAL
28	1	26744	CPSCR, M8x1.25 x 12-HEX HEAD
29	1		CPSCR 1/4-20 x 1/4, BUTTON HEAD
30	1	16463	TERMINAL, KIT, 5/16 WR (Includes #29)
33(N/S)	1		12V CONTACTOR
34	1	<b>83350</b>	CABLE, ELEC. 2GA, RED, 72"
35	1	<b>83664</b>	CONTROL PACK, 9.5 XP, (Includes #33, 34, & 45)
36	1	38314	WIRE ROPE ASSEMBLY, 5/16 x 100' W/THIMBLE
37	1	63979	HOOK, 3/8 LATCHING HOOK
38	1	<b>83665</b>	S/P, REMOTE CONTROL
39	1	69945	SPACER, MOTOR
40	1	5742	FAIRLEAD, ROLLER
41	N/S	68615	SEAL, KIT, 9.5 XP (Includes #'s 13, 14, 19, & 20)
42	N/S	68614	LABEL KIT, 9.5 XP
45	1	<b>82215</b>	BRACKET, MOUNTING

**P/N 68390 B5**

**WARN 9.5 XP WINCH  
REPLACEMENT PARTS LIST**

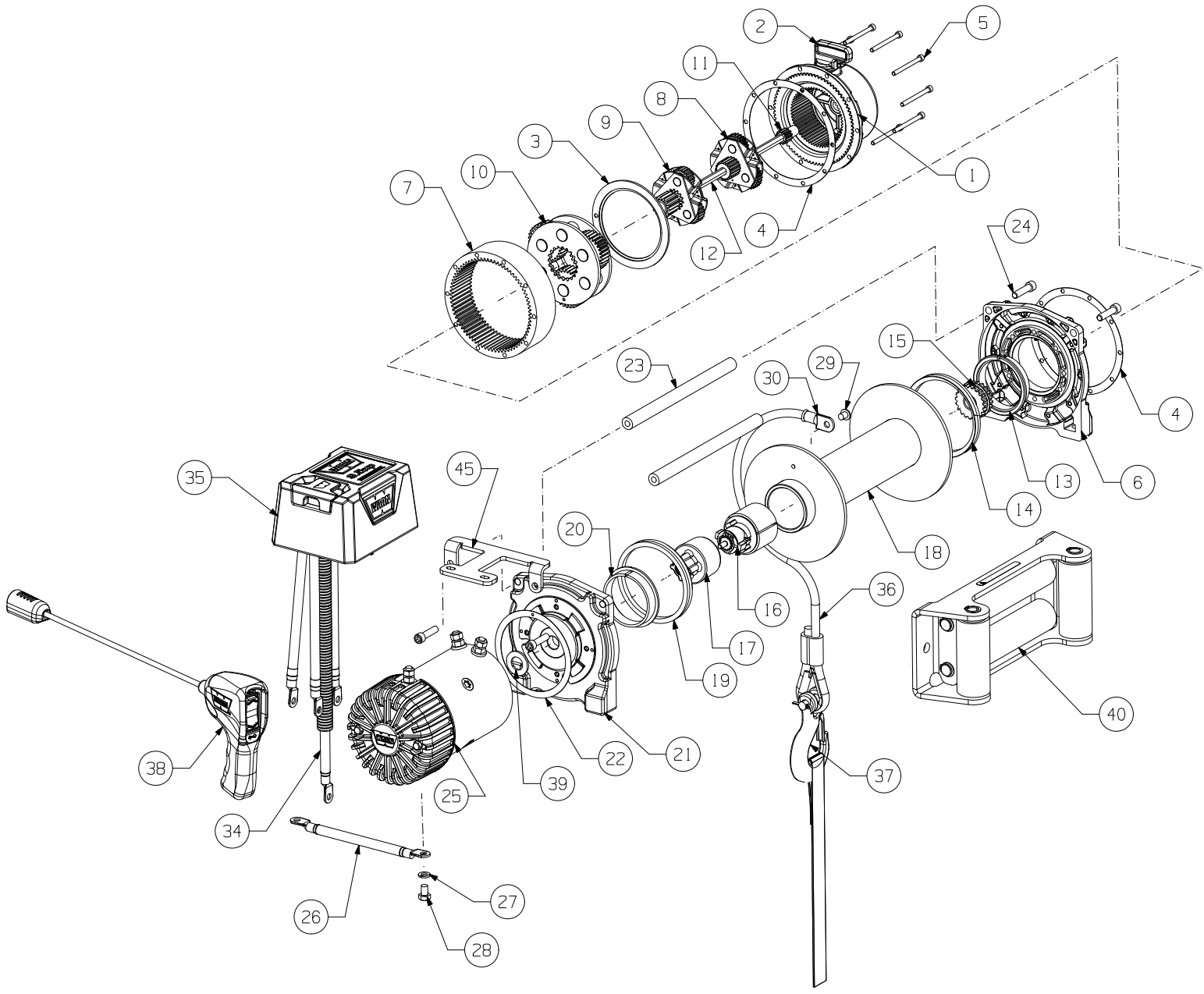
**STARTING SERIAL NO. 1551500**

**(P/N 68500, 86500)**

**ORDERING INFORMATION:**

When ordering please give Warn Model no., Serial no., & Battery voltage. Parts may be obtained through your local dealer or distributor.

<u>ITEM</u>	<u>QTY</u>	<u>PART NO.</u>	<u>DESCRIPTION</u>
1	1	82461	END HOUSING ASSY, 9.5 XP (Includes #2, 4)
	1		THRUST PLATE
	1		RING GEAR, SLIDING
	1		BUSHING
2	1	82463	CLUTCH LEVER, 9.5 XP
	1		CLUTCH LEVER DETENT SCREW
	1		SEAL, QUAD-X
3	1	13826	WASHER-THRUST, NYLON
4	2	13848	HOUSING GASKET
5	10	13850	CPSCR, 10-24 x 2-1/4, HEX SOCKET HEAD
6	1	68606	DRUM SUPPORT, GEAR, 9.5 XP (Includes item #4, 13, & 14)
7	1	68044	RING GEAR, STEEL GRAY, 75T
8	1	34339	CARRIER ASSEMBLY, STAGE 1
9	1	34342	CARRIER ASSEMBLY, STAGE 2
10	1	28432	CARRIER ASSEMBLY, STAGE 3
11	1	13874	SUN GEAR, 12T
12	1	27372	DRIVE SHAFT, 10.1
13	1		BUSHING, DRUM (Included in Kit #41)
14	1		SEAL, V-RING (Included in Kit #41)
15	1	14584	DRIVE SPLINE, W/RETAINING RING
16	1	32455	BRAKE ASSEMBLY (Includes item #'s 12, 15, & 17)
17	1	26006	COUPLER, MOTOR
18	1	26107	DRUM ASSEMBLY
19	1		SEAL, V-RING (Included in Kit #41)
20	1		BUSHING, DRUM (Included in Kit #41)
21	1	68607	DRUM SUPPPORT, MOTOR, 9.5 XP (Includes #'s 19 & 20)
22	1		GASKET, MOTOR
23	2	32408	TIE ROD
24	4	60451	BOLT, SHCS, THREAD CUT 5/16-18 x 1-1/4
25	1	68608	MOTOR, 4.5 BOSCH, MH (Includes item #'s 22, 27, 28, & 39)



**WARN 9.5 XP-S WINCH W/SYNTHETIC  
REPLACEMENT PARTS LIST**

**ORDERING INFORMATION:**

When ordering please give Warn Model no., Serial no., & Battery voltage. Parts may be obtained through your local dealer or distributor.

<u>ITEM</u>	<u>QTY</u>	<u>PART NO.</u>	<u>DESCRIPTION</u>
26	1	15901	CABLE, ELEC. 2GA, BLACK, 72"
27	1	1402	WASHER, 5/16-HELICAL
28	1	26744	CPSCR, M8x1.25 x 12-HEX HEAD
29	1		CPSCR 1/4-20
30	1	<b>76226</b>	<b>TERMINAL, KIT, (Includes #29)</b>
33	N/S		12V CONTACTOR
34	1	83350	CABLE, ELEC. 2GA, RED, 72"
35	1	83664	CONTROL PACK, 9.5 XP, (Includes #33, 34, & 45)
36	1	<b>87915</b>	<b>S/P, 3/8" x 100', SYNTHETIC ROPE</b> (Includes #30)
37	1	<b>87781</b>	<b>HOOK, 3/8</b>
38	1	83665	S/P, REMOTE CONTROL
39	1	69945	SPACER, MOTOR
40	1	<b>87914</b>	<b>S/P, POLISHED FAIRLEAD, HAWSE</b>
41	N/S	68615	SEAL, KIT, 9.5 XP (Includes #'s 13, 14, 19, & 20)
42	1	87693	DECAL, 9.5 XP-S
45	1	82215	BRACKET, MOUNTING

**P/N 87696 A0**

**WARN 9.5 XP-S WINCH W/SYNTHETIC  
REPLACEMENT PARTS LIST**

**(P/N 87310)**

**ORDERING INFORMATION:**

When ordering please give Warn Model no., Serial no., & Battery voltage. Parts may be obtained through your local dealer or distributor.

<u>ITEM</u>	<u>QTY</u>	<u>PART NO.</u>	<u>DESCRIPTION</u>
1	1	82461	END HOUSING ASSY, 9.5 XP (Includes #2, 4)
2	1	82463	CLUTCH LEVER, 9.5 XP
	1		CLUTCH LEVER DETENT SCREW
	1		SEAL, QUAD-X
3	1	13826	WASHER-THRUST, NYLON
4	2	13848	HOUSING GASKET
5	10	13850	CPSCR, 10-24 x 2-1/4, HEX SOCKET HEAD
6	1	68606	DRUM SUPPORT, GEAR, 9.5 XP (Includes item #4, 13, & 14)
7	1	68044	RING GEAR, STEEL GRAY, 75T
8	1	34339	CARRIER ASSEMBLY, STAGE 1
9	1	34342	CARRIER ASSEMBLY, STAGE 2
10	1	28432	CARRIER ASSEMBLY, STAGE 3
11	1	13874	SUN GEAR, 12T
12	1	27372	DRIVE SHAFT, 10.1
13	1		BUSHING, DRUM (Included in Kit #41)
14	1		SEAL, V-RING (Included in Kit #41)
15	1	14584	DRIVE SPLINE, W/RETAINING RING
16	1	32455	BRAKE ASSEMBLY (Includes item #'s 12, 15, & 17)
17	1	26006	COUPLER, MOTOR
18	1	<b>87689</b>	<b>DRUM ASSEMBLY, SYNTHETIC</b>
19	1		SEAL, V-RING (Included in Kit #41)
20	1		BUSHING, DRUM (Included in Kit #41)
21	1	68607	DRUM SUPPPORT, MOTOR, 9.5 XP (Includes #'s 19 & 20)
22	1		GASKET, MOTOR
23	2	32408	TIE ROD
24	4	60451	BOLT, SHCS, THREAD CUT 5/16-18 x 1-1/4
25	1	68608	MOTOR, 4.5 BOSCH, MH (Includes item #'s 22, 27, 28, & 39)

